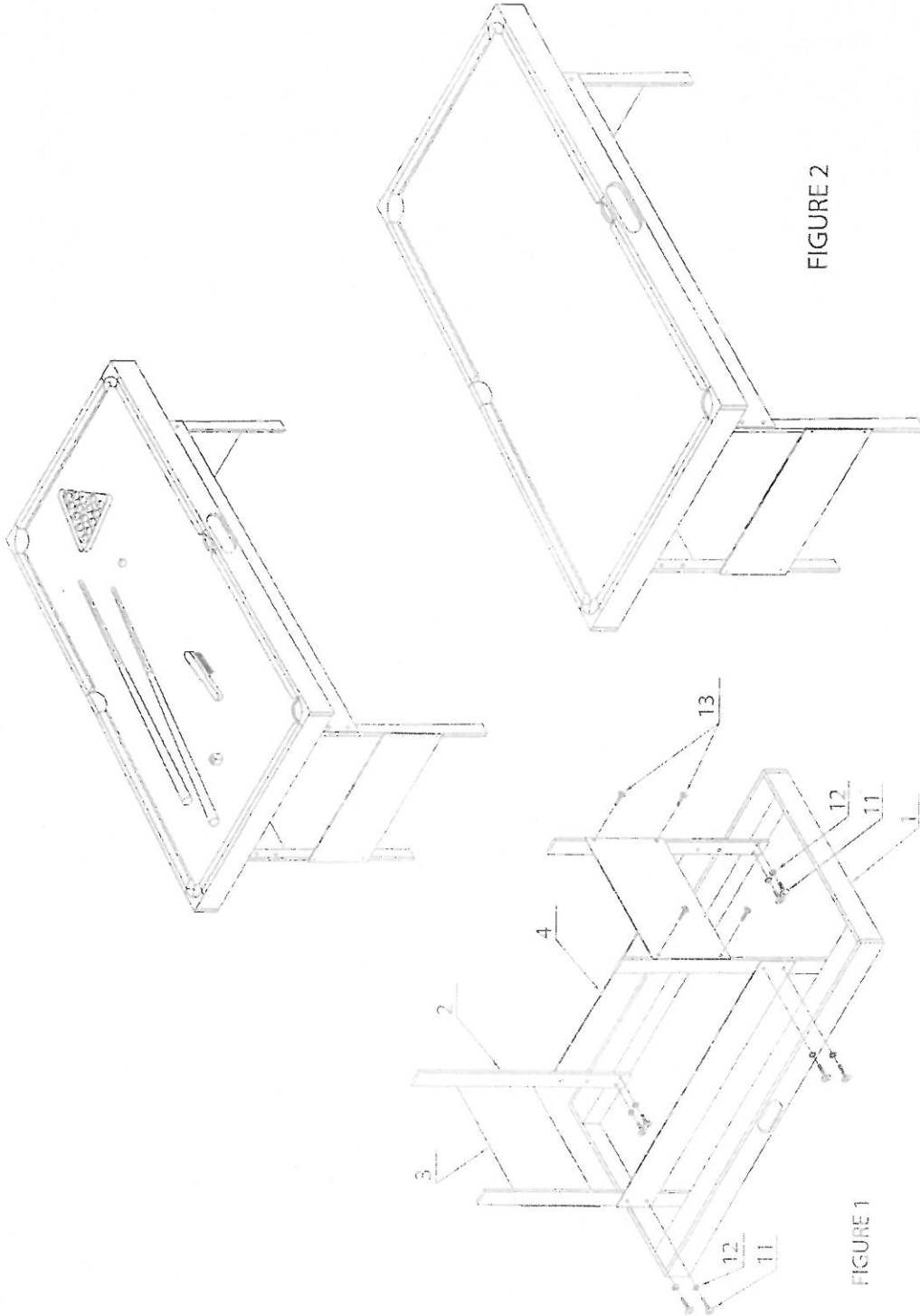


6+ YEARS

# 4ft Manhattan Pool Table Assembly Instructions (SUB-4824-2)

## WARNING:

Not suitable for children under three years of age due to small parts and small balls.



### Parts Identifier

- |   |   |   |                           |   |                            |
|---|---|---|---------------------------|---|----------------------------|
| ① | Playing surface<br>1 Piece              | ② | Legs<br>4 Pieces          | ③ | End Leg Panel<br>2 Pieces  |
| ④ | Side Leg Panel<br>2 Pieces              | ⑤ | Chalk<br>2 Pieces         | ⑥ | Brush<br>1 Piece           |
| ⑦ | Pool Ball Set<br>1 Set                  | ⑧ | Cues<br>2 Pieces          | ⑨ | Triangle<br>1 Piece        |
| ⑩ | ALLEN BRUSH<br>1 Piece                  | ⑪ | 6x 28mm Bolt<br>16 Pieces | ⑫ | 15X6.5 Washer<br>10 Pieces |
| ⑬ | 3.5x12 Washer<br>Held Screw<br>8 Pieces |   |                           |   |                            |

Care and Maintenance: Please ensure table is moved by two people. Lifting the table can result in damage to the legs. The cloth should only be cleaned by using the brush provided. Never use any type of liquid to clean the cloth.